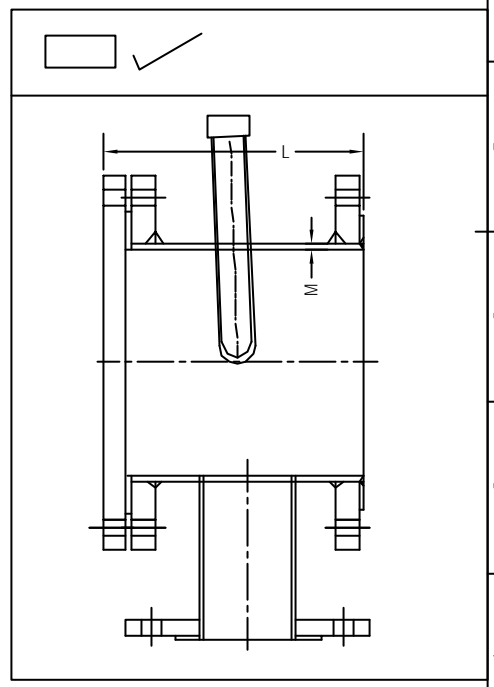
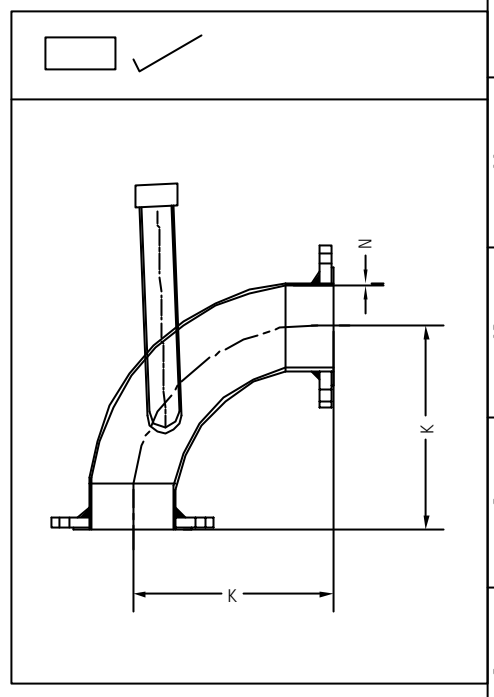
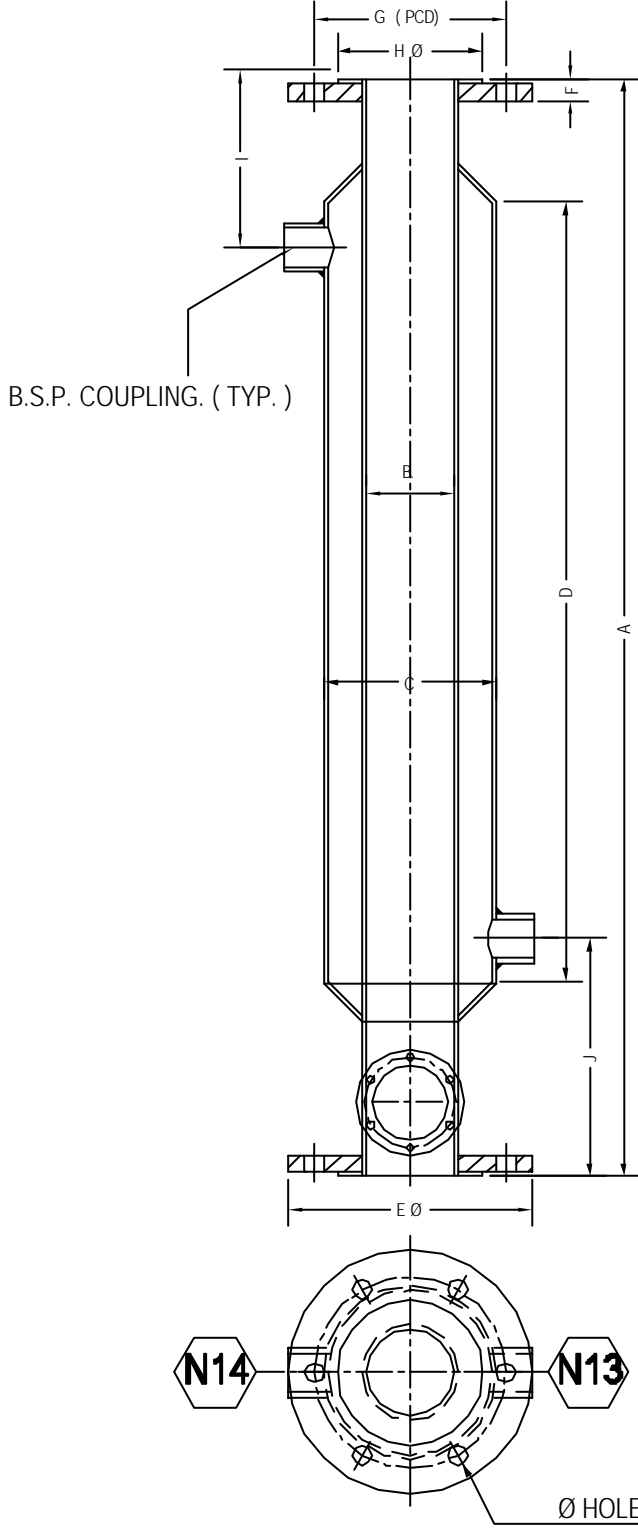



DETAIL OF S.S.316 COLUMN.



COOLING AREA	A	B	C	D	E	F	G	H	I	J	K	L

5	HAND HOLE	<input type="checkbox"/> NOT REQUIRED	<input type="checkbox"/> REQUIRED	
4	PACKING RING SUPPORT	<input type="checkbox"/> NOT REQUIRED	<input type="checkbox"/> REQUIRED	
3	JACKET	<input type="checkbox"/> NOT REQUIRED	<input type="checkbox"/> REQUIRED	
2	JACKET		<input type="checkbox"/> SA240Gr:304	<input type="checkbox"/> M.S.
1	SHELL PIPE	<input type="checkbox"/> SA240Gr316	<input type="checkbox"/> SA240Gr304	<input type="checkbox"/> M.S.
NO.	DESCRIPTION.	MATE.	MATE.	MATE.



S . S . ENGINEERING

FAC. & OFF. :- C-1-B, HATKESH UDYOG NAGAR, KASHI MIRA -
BHAYANDAR ROAD, MUMBAI-401 104.

TELE. :- (0) :- 2811 15 41
: 2813 16 48
FAX.No.(91-22) :2812 54 78

CLIENT :-

TITLE :- LAYOUT OF COLUMN

ENQ.No. :- **DATE. :-**